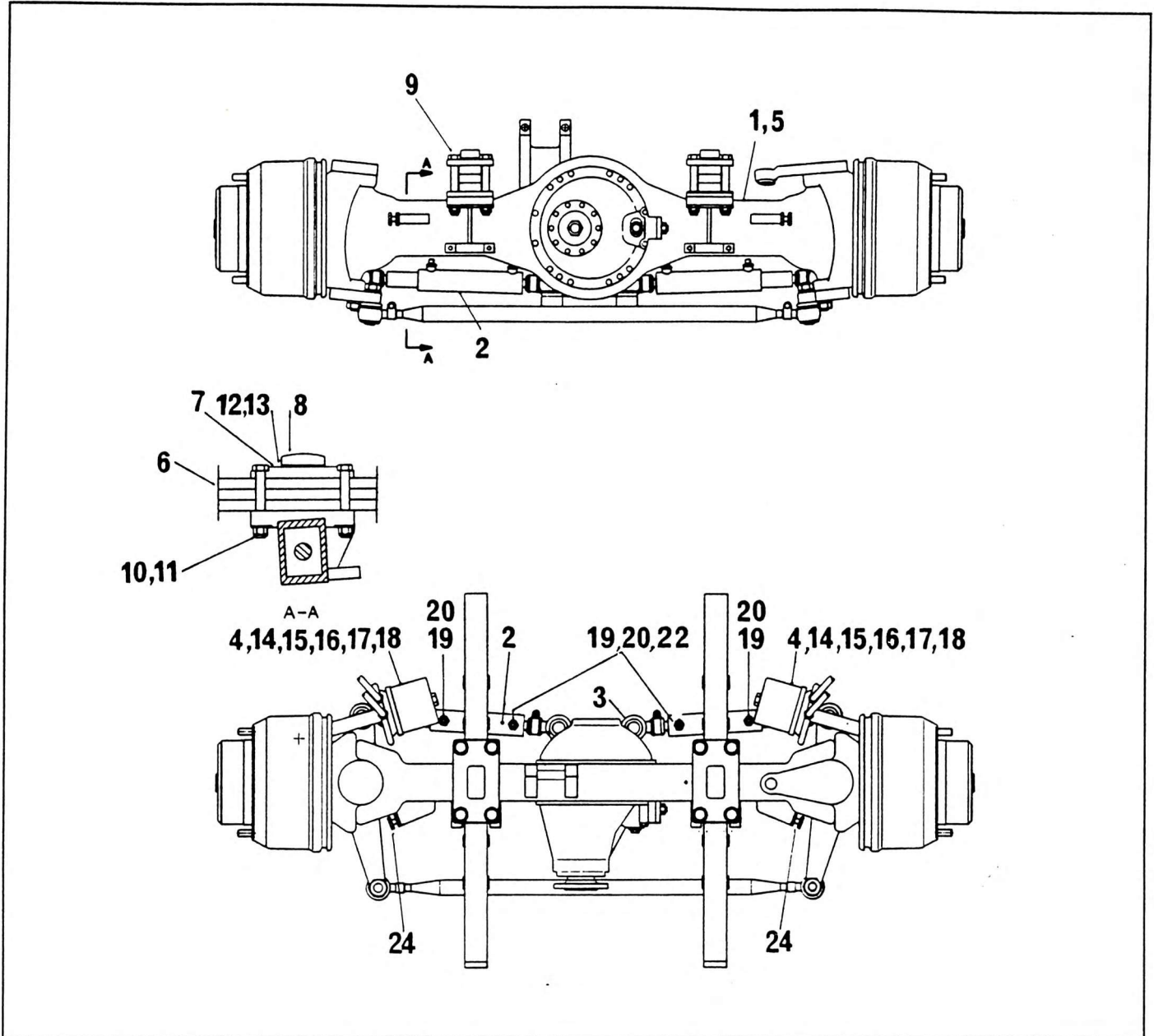


**AXLE 4 DRIVE STEER SUB ASSY**



NO.	PART NO	QTY.	DESCRIPTION	NO.	PART NO	QTY.	DESCRIPTION
1 +	7-049-990303	1	Axle 4 Drive Steer Sprung Suspension	17	8360283	2	Test Point Adaptor
2 +	7-372-990211	2	Cylinder Steering	18	7-888-000033	2	Service Tee
3	7-364-001407	4	Ball Joint	19	7-443-991195	4	Adaptor M18 x 1/2" ORFS
4 +	7-009-990034	2	Brake Chamber	20	7355304	4	Seal
5	7-304-990013	1	Breather	22	7-447-080835	2	Branch Tee
6	7-834-990098	2	Spring Taper Leaf	24	7-126-272350	2	Bolt M20 x 80
7	6-705-911455	2	Plate Clamp				
8	9168	2	Buffer				+ See further breakdown in this group
9	7-127-293450	8	Bolt M24 x 180				
10	7-661-290805	8	Nut Nyloc M24				
11	8597101	8	Washer				
12	7-660-161631	4	Nut Av. Phil.				
13	7-951-190210	4	Washer Spring M10				
14	7-949-990184	4	Washer Copper 5/8"				
15	8305161	4	Adaptor 1/4" x M16				
16	2-543-990010	4	Hose Assy 3/8" x 29" Lg				